



FENDT

fendt.com | Fendt is a worldwide brand of AGCO.

FENDT MOMENTUM PLANTERS



THE FENDT® MOMENTUM® PLANTERS

Every acre, every plant, every seed. Fendt Momentum makes everything count.



Momentum® Model	FTPM12	FTPM16	FTPM23	FTPM24	FTPM31	FTPM32	FTPM36	FTPM47	FTPM48
# of Rows	12	16	23	24	31	32	36	47	48
Row Spacing	30"	30"	15"	20", 22", 30"	15"	15"	20", 22"	15"	15"



Controlling what we can of the seed's growing environment pays off in yield and increased profits. By maximizing performance and efficiency and reducing risk, you can achieve better yields with less time and expense. Momentum® pairs powerful technology with practicality to give you greater control of the planting process. Momentum is designed to get the seed in the right place and correct environment, maximizing its yield potential, by managing four key elements:

- Delivering high performance
- Reducing risk to that performance
- Implementing an easy-to- use, efficient, row-by-row operating system
- Responding to challenges as they arise in the planting operation

Welcome the newest member to your family farm.

FENDT MOMENTUM PLANTERS





The Fendt Momentum 30' is more than a planter, it's a lifeline for family-owned operations, a boost to your bottom line and a testament to human innovation.

Designed for smaller fields, with a groundbreaking 52" vertical range to tackle challenging terrain, making every single acre count.

With the highest capacity tanks in the 30' segment, 100 bushels of seed and 800 gallons of liquid fertilizer, you'll do more planting and less refilling.

No matter the size of your farm, Fendt's got you covered. The technology you want in the size you need, with the all-new Momentum 30'.

FENDT MOMENTUM PLANTERS





Fendt Momentum Spotlights

These are unique innovations that help deliver greater value to your operation—every field, every acre, every seed, everyday.

- Load Logic™ Weight Management System**
 - Smart Spindles that continuously measure weight and load on tires
 - Smart cylinders that automatically balance weight across the frame
 - Automatic tire pressure inflation and deflation

- In-line Center Tandem Design**
 - Follows tractor path
 - Eliminates pinch rows

- Capacity**
 - 130 bushel seed tanks
 - Optional 1,000 gallon liquid fertilizer
 - Optional 170 ft³ dry fertilizer

Capacity (ft.)	30	40	60
Seed Tanks (bu.)	100	130	
Liquid Tanks (gal.)	800	1,000	
Dry Fert. (cu./ft.)	125	130	170

- Vertically Contouring Toolbar (VCT)**
 - Up to 52" of toolbar vertical travel

- Integrated Precision Planting**
 - Vset2®, vDrive®, DeltaForce®, Conceal®, and 20/20 SeedSense® Display

- Gold Star Customer Care**
 - 3 year full machine warranty PLUS annual inspections
 - Parts Assurance Program



Make a big impact, without leaving one.

Your chance to maximize yield starts with the Momentum planter pass. Studies show compaction created during planting can reduce yield potential by as much as 5 bu/A.*The Fendt Momentum planter—equipped with Load Logic—provides you with a solution to soil compaction issues.

Fendt Momentum's Load Logic system automatically balances weight between the planter's center frame and wings to minimize compaction. Its operating modes allow growers to choose what best fits their fields and operation. Load Balance mode distributes weight across the entire frame, while Controlled Traffic mode shifts compaction pressure to follow the tractor path.



The automatic tire inflation is part of the Load Logic compaction management system. The Smart Spindles measure the weight being carried on Momentum's tires and the algorithm automatically set optimal tire pressures.

* See page 17 for citations

What good is the best planting technology in the market if your row unit runs out of range?

Whether the terrain makes you lose ground engagement or bury your seed in the ground, you'll be losing yield and money.

Find consistent seed placement and planting depth with Momentum and its unparalleled 52" of vertical planting range. The Vertical Contouring Toolbar offers you three independent toolbars following the topography of the terrain and flexing through the field to make sure your row unit technology can do its work and give you consistent emergence and a healthy crop.





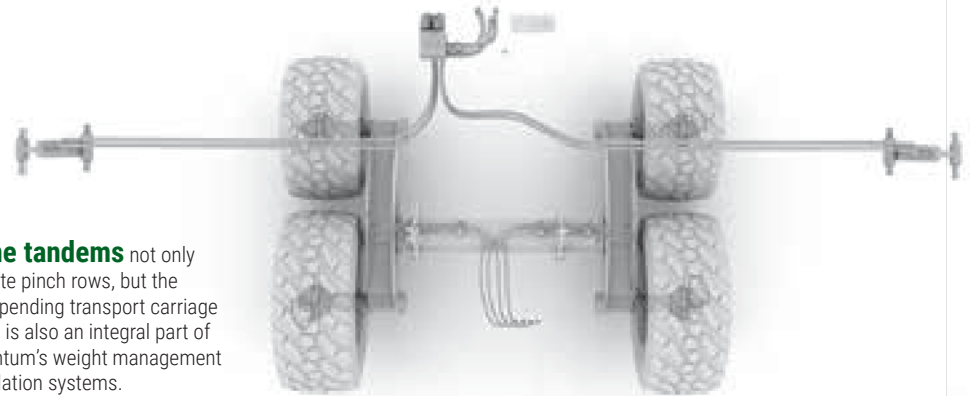
Don't pinch your profitability.

FENDT MOMENTUM PLANTERS



Reducing Compaction

Planter compaction studies have shown up to a 30% yield loss, from pinch row (rows planted between highly loaded/ inflated side-by-side dual-wheel configurations), to rows planted between highly loaded/inflated side-by-side dual-wheel configurations.* Momentum's VF tires and in-line tandem configuration with single outer wing wheels eliminates pinch rows, allowing you to recapture that lost yield.

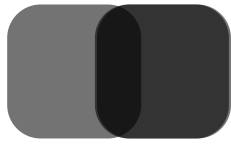


In-line tandems not only eliminate pinch rows, but the patent-pending transport carriage system is also an integral part of Momentum's weight management and inflation systems.

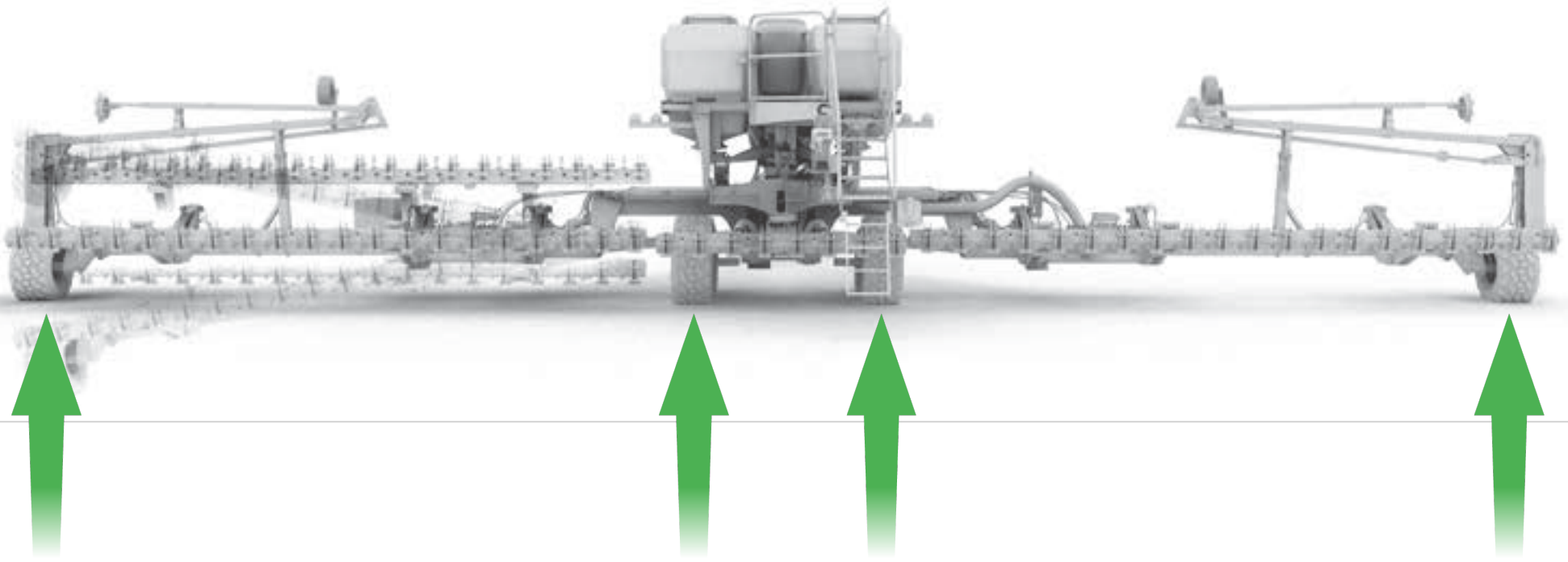


Pinch rows on competitors' planters can affect up to 12 rows, in addition to tractor-affected rows across a 24-row planter. The row below will show decreased yield.

* See page 17 for citations



In-line tandem.



Follows tractor tire path

Total impacted rows = 6

Total Pinch Rows = 0

Uncompromised productivity.



Covering more acres in less time shouldn't mean you need to compromise in other areas of your operation, and with the Fendt Momentum planter you won't. That's because Momentum features the highest capacity tanks of seed and fertilizer in the categories. Regardless the model you choose, Momentum offers both high capacity liquid and dry fertilizer options directly from the factory. The optional liquid system features a 1,000 gallon on board tank and an optional dry fertilizer system of 170 cubic feet capacity.

Despite its higher capacity, Momentum doesn't create additional compaction. In fact, four years of independent field trials have demonstrated that Momentum still achieves a 5 bu/A yield advantage despite its higher carrying capacity.* This is the result of its innovative Load Logic compaction management system paired with the In-line tandems and VF tires.

* See page 17 for citations

Your crop doesn't care how you're feeding it...



...whether you apply liquid or dry fertilizer, as long as you do it.

Momentum's Dry Fertilizer option combines a row-by-row high accuracy metering and delivery system with state-of-the-art seed placement and compaction management. With no need for aftermarket installations, the dry fertilizer system uses vApply Granular from Precision Planting to run all control through the 20|20 monitor.

Farmers get to choose what's best for their operation, and Fendt provides the solution.



99%+ accuracy with Precision Planting®.

FENDT MOMENTUM PLANTERS



Manage every row unit individually in real time to provide greater accuracy. The Fendt Momentum planter features the latest innovations from Precision Planting® integrated right from the factory. This means you're achieving 99%+ accuracy all the time while minimizing root zone compaction.

The system intelligently places seed according to your desired population while compensating for turns and overlaps. vSet2/vDrive meters are unsurpassed in accuracy, simplicity and durability. The DeltaForce hydraulic downforce system intelligently applies individual row unit down force for optimum seed depth, without undo compaction.



Monitor

High-definition data enables high-impact decisions. The new 20J20® monitor provides the most advanced agronomic picture you've ever seen. Optimize planting, harvest and application decisions with a smart, intuitive interface that visualizes performance and field conditions in real time.



DeltaForce®

DeltaForce™, the most accurate row-by-row down force system, features hydraulic cylinders and load cells that measure how much weight is being carried on the row unit gauge wheels and keep it consistent. The operator sets a weight that should be carried on the gauge wheels, and DeltaForce does the rest, maintaining the same weight on the gauge wheels of every row, or across different fields or variations within a field. With DeltaForce, the hidden yield loss from compaction is eliminated, and each row is planted at the depth that was set.



vSet2®

vSet2® with vDrive provides perfect singulation. By using a flat disk, it doesn't have a cell with a "preference" for a certain seed size. The flat disk, combined with a singulator riding on the edge of the disk knocking off extra seeds, gives you 99% singulation accuracy in corn and soybeans without adjustments to vacuum, disk or singulator.



SpeedTube®

SpeedTube® combines with other systems from Precision Planting to create a high-speed planting system that ensures that as you speed up, yield potential is not going down. SpeedTube uses a flighted belt to control the descent of the seeds into the seed trench, and they don't tumble in the furrow because the seed release is matched to ground speed.



SRM 3 Single Row Module

The SRM3 and Can Extension Hub enables plug-and-play additions of Precision Planting's most popular products such as SmartFirmer, FlowSense, Conceal, FurrowForce and others. Also, each row unit is factory-equipped with the Quick-Attach brackets for SeedFirmers and FurrowForce applicators.



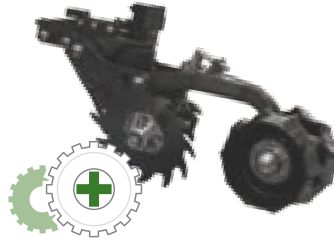
EMHD®

EMHD controls liquid application rates using an electromagnetic flow meter. This opens up your options for a wider range of liquid products. Use the liquid product you want with the accuracy you need with EMHD. EMHD is robust against debris and the viscosity of the fluid no longer matters. Row-by-Row Swath-Gain swath control on a row-by-row basis to save product and money. Utilize prescriptions to apply product at the rate you want, where you want it. The flow meter automatically adjusts the pressure on curves to keep the rate consistent.



Conceal®

Conceal® is a simple nutrient placement device from Precision Planting that places fertilizer in a band incorporated into the soil so the plant will be able to get those nutrients during the critical ear set stage. Conceal can be utilized to put either a single or dual band of nutrients down beside the row. Conceal is a combination of a gauge wheel which has a groove in it, and a knife running in the groove.



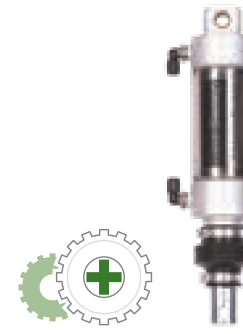
FurrowForce®

The all new FurrowForce® from Precision Planting is an automated row-by-row control system that provides visibility to closing performance on a 20J20 display in the cab. FurrowForce uses two stages to both close the furrow and manage soil density. The first stage pinch wheels are set wider than traditional systems and move soil horizontally to remove air gaps. Following are the second stage stitch wheels that create the proper soil density for moisture retention and speedy germination.



SmartFirmer®

Precision Planting's SmartFirmer® is a seed-firmer sensor that is measuring the furrow as it is firming each seed into the bottom of the trench. SmartFirmer helps you know that the environment that the seed is being placed in is in good shape, but can also help you determine what type of variability you may have in your field. SmartFirmer measures and displays soil moisture in the cab so you can make adjustments to get seeds into adequate moisture.



CleanSweep®

CleanSweep® allows you to make row cleaner adjustments from the cab, eliminating the frustration of getting row cleaners set, saving you time while planting.



Available as an aftermarket option from a certified Precision Planting dealer.



GOLD STAR
CUSTOMER CARE

FENDT MOMENTUM PLANTERS

The ultimate risk manager.

Fendt's Gold Star Customer Care program helps you manage your variable expenses and your risk. You've invested in the best technology in the industry with Fendt, and we're invested in ensuring your productivity, profitability, and overall experience is the best it can be as well.

- **3-Year, Full Machine Warranty***
- **Annual Planter Inspection**
- **\$0 Deductible**
- **Parts Assurance Program**—additional dealer parts stocking in season.

What's a planter worth to your operation?

How about **over \$65K of profit** in a season?

This is the Fendt Momentum value in a 3,000 acres corn farm. Four years of competitive trials, several of them done by independent entities, show an average of 5 bu/A yield advantage of Momentum versus competitive planters all over U.S. and Canada.

- Value Calculator
- 3,000 acres farm
- \$4.5 per bushel of corn*
- 5 bu. per acre yield advantage

* Price in USD—February 2024

* 2020, 2021, 2023 Precision Planting Training Institute (PTI) planter compaction comparison study. Momentum FTPM16-30 equipped with the Load Logic™ compared to a JD 1770NT built with the exact specifications of Yetter residue managers with CleanSweep®, Dual Band Conceals®, FurrowForce®, vSet®, vDrive® and DeltaForce® planted in side-by-side strip-trials.

* 2021 Ohio State University planter compaction comparison study. FTPM16-30 with Load Logic versus a JD 1775NT with equivalent specifications planted in side-by-side strip-trials.

* 2021 Hefty Seeds competitive trial of Momentum FTPM24-30 versus 2150-24 with equivalent specification planted in side-by-side strip-trials.

* 2023 XtremeAg Kelly Garrett competitive trial of Momentum FTPM24-30 versus JD 1775NT with ExactEmerge technology planted in side-by-side strip-trials.

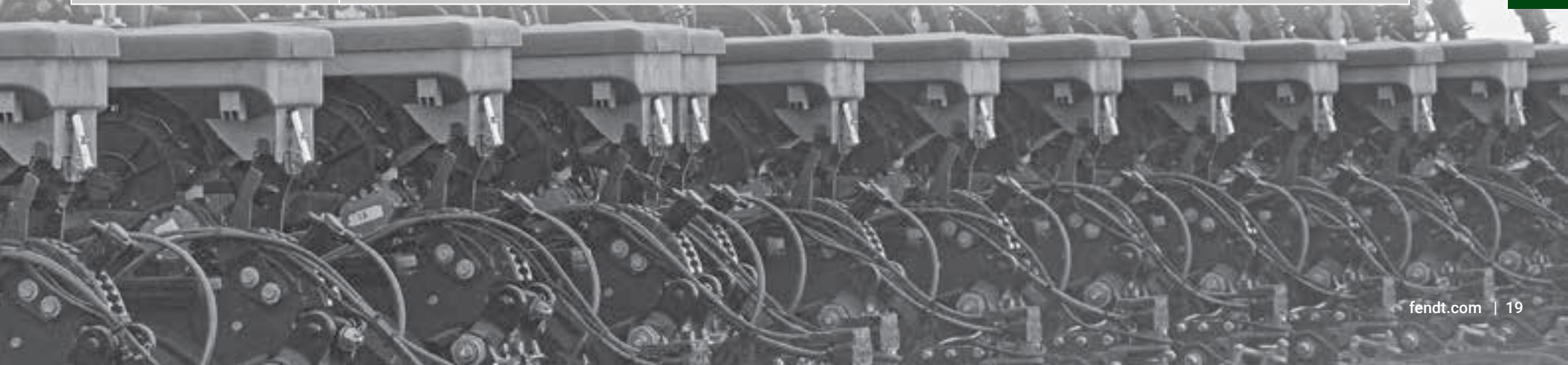
* 2023 University of Illinois Urbana-Champaign competitive trial of Momentum FTPM31-15 versus JD1775 equipped with Precision Planting technology and the same specification planted in two fields as side-by-side strip-trials.

Fendt Momentum Specifications

	FTPM12-30	FTPM23-15	FTPM16-30	FTPM24-20	FTPM24-22	FTPM31-15
Rows / spacing in. (cm)	12R 30 (76.2)	23R 15 (38.1)	16R 30 (76.2)	24R 20 (50.8)	24R 22 (55.88)	31R 15 (38.1)
Hitch on planter	2-pt		2-pt or drawbar			
Metering units	vSet2 / vDrive®					
Seed tube options	SpeedTube® or WaveVision®					
CFS capacity bu. (L)	100 (3,524)		130 (4,581)			
Liquid fertilizer gal. (L)	800 (3,028)		1,000 (3,785)			
Dry Fertilizer cu. Ft.	125	N/A	130	N/A		
Est. weight (empty) lbs. (kg.)	20,282 (9,200)	24,471 (11,100)	23,000 (10,433)	26,000 (11,793)	26,000 (11,793)	29,000 (13,154)
Transport width ft. (m)	12 (3.65)					
Transport height ft. (m)	12 (3.65)					
Est. tongue weight lbs. (kg)	5,960 (2,703)	6,838 (3,102)	8,000 (3,629)	9,000 (4,082)	9,000 (4,082)	10,000 (4,536)
Tractor HP	5 MPH 10 MPH	8–12 HP per row 10–20 HP per row				
Hydraulic requirements GPM (LPM)	30–60		35–70 (132–227)			



	FTPM32-15	FTPM24-30	FTPM36-20	FTPM36-22	FTPM47-15	FTPM48-15
Rows / spacing in. (cm)	32R 15 (38.1)	24R 30 (76.2)	36R 20 (50.8)	36R 22 (55.88)	47R 15 (38.1)	48R 15 (38.1)
Hitch on planter	2-pt or drawbar					
Metering units	vSet2 / vDrive					
Seed tube options	SpeedTube or WaveVision			WaveVision		
CFS capacity bu. (L)	130 (4,581)					
Liquid fertilizer gal. (L)	1,000 (3,785.4)					
Dry Fertilizer cu. Ft.	N/A	170	N/A			
Est. weight (empty) lbs. (kg.)	29,000 (13,154)	29,000 (13,154)	34,000 (15,422)	34,000 (15,422)	38,000 (17,237)	38,000 (17,237)
Transport width ft. (m)	12 (3.65)					
Transport height ft. (m)	12 (3.65)					
Est. tongue weight lbs. (kg)	10,000 (4,536)	10,000 (4,536)	11,500 (5,216)	11,500 (5,216)	13,000 (5,897)	13,000 (5,897)
Tractor HP	5 MPH	8-12 HP per row				
	10 MPH	10-20 HP per row				
Hydraulic requirements GPM (LPM)	35-70 (132-227)					





FENDT

fendt.com | Fendt is a worldwide brand of AGCO.



FENDT MOMENTUM PLANTERS

 **AGCO ANSWERS**
Your Agriculture Company | (877) 525-4384 AGCOanswers@AGCOcorp.com

AGCO may at any time, and from time to time, for technical or other necessary reasons, modify any of the data, specifications or warranty of the products described herein. Some equipment shown may be optional. Attention: Photographs in this publication may show protective shields and guards open or removed for the purposes of illustration. Be certain all shields and guards are in place during operation.

© 2024 AGCO Corporation. Fendt is a worldwide brand of AGCO Corporation. AGCO®, Fendt® and Momentum® are trademarks of AGCO. Bluetooth® is a trademark of Bluetooth SIG, Inc. All rights reserved. FT24B003AGv02